

PRECOR®

RESOLUTE™ MULTI-STATIONS



RESOLUTE™ MULTI-STATIONS

The contemporary, sleek design blends durability with modularity, providing you with the versatility and functionality necessary to attract and satisfy the ever-changing exerciser over the long term.

Dimensions (LxWxH)

388 x 243 x 237 cm

Weight 594 kg*

* Weight based on a standard weight stack



ANCHOR YOUR FACILITY

Creating the right atmosphere for your facility is essential. The Resolute Multi-Stations features a contemporary design supporting Precor strength and cardio products. Its versatile configurations attract first-timers and seasoned lifters, offering a boundless array of workout possibilities.



Dimensions (LxWxH)

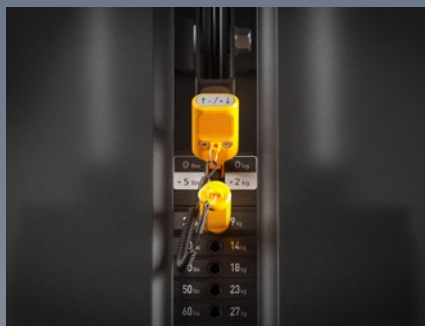
542 x 388 x 237 cm

Weight 720 kg*

* Weight based on a standard weight stack

GRAB AND GO

The Resolute Multi-Stations offer an exerciser-friendly experience with minimal adjustments, illustrated instructions and a streamlined design to cater to all fitness levels.



Dimensions (LxWxH)

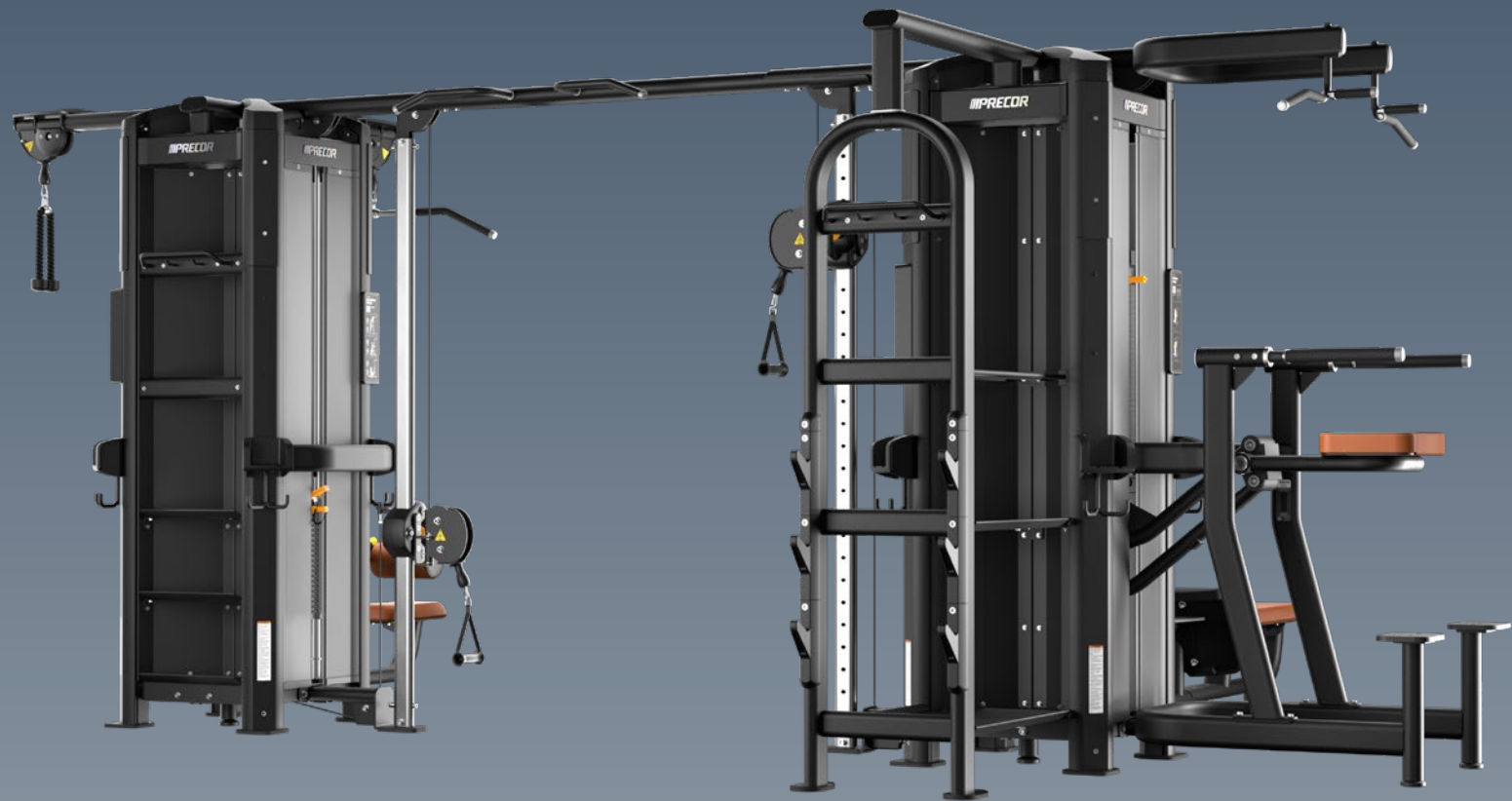
149 x 253 x 237 cm

Weight 195 kg*

* Weight based on a standard weight stack

HASSLE-FREE WORKOUT EXPERIENCE

Resolute Multi-Stations are the first to provide a dedicated spot to securely position a phone for optimal viewing of fitness apps while training. With an integrated 2 kg add-on weight and ample storage options, exercisers stay focused on their workout and not searching for accessories.



Dimensions (LxWxH)

738 x 394 x 237 cm

Weight 855 kg*

* Weight based on a standard weight stack

EXERCISE STATIONS



RMS0320
DIP-CHIN ASSIST

Dimensions (LxWxH)

172 x 147 x 237 cm

Weight 433 kg*

* Weight based on a standard weight stack



RMS0212
TRICEPS PUSHDOWN

Dimensions (LxWxH)

120 x 75 x 237 cm

Weight 246 kg*

Accessory Rope handle

* Weight based on a standard weight stack



RMS0304
LAT PULLDOWN

Dimensions (LxWxH)

131 x 135 x 237 cm

Weight 286 kg*

Accessory 122 cm Bent traditional lat pull-down handle

* Weight based on a standard weight stack



RMS0302
LOW ROW

Dimensions (LxWxH)

257 x 99 x 237 cm

Weight 307 kg*

Accessory A-frame style handle

* Weight based on a standard weight stack



RMS0905 + OP3
ADJUSTABLE PULLEY WITH STABILITY ARMS

Dimensions (LxWxH)

149 x 253 x 237 cm

Weight 195 kg*

Accessory Rubber-coated pull handle and ankle cuff with Velcro closure

* Weight based on a standard weight stack



Stations	Accessories	Standard	Heavy
Lat Pulldown	122 cm Bent traditional lat pulldown handle	118 kg	154 kg
Low Row	A-frame style handle	118 kg	154 kg
Adjustable Pulley	Rubber coated pull handle and ankle cuff with Velcro closure	100 kg	136 kg
Triceps Pushdown	Rope handle	100 kg	136 kg
Dip-Chin Assist		154 kg	

STORAGE STATIONS

RMS0803 INTEGRATED STORAGE

Dimensions (LxWxH)

64 x 75 x 237 cm

Shelf Depth 28 cm

Shelf Weight Capacity 11 kg each

RMS0819 EXTENDED STORAGE

Dimensions (LxWxH)

137 x 75 x 237 cm

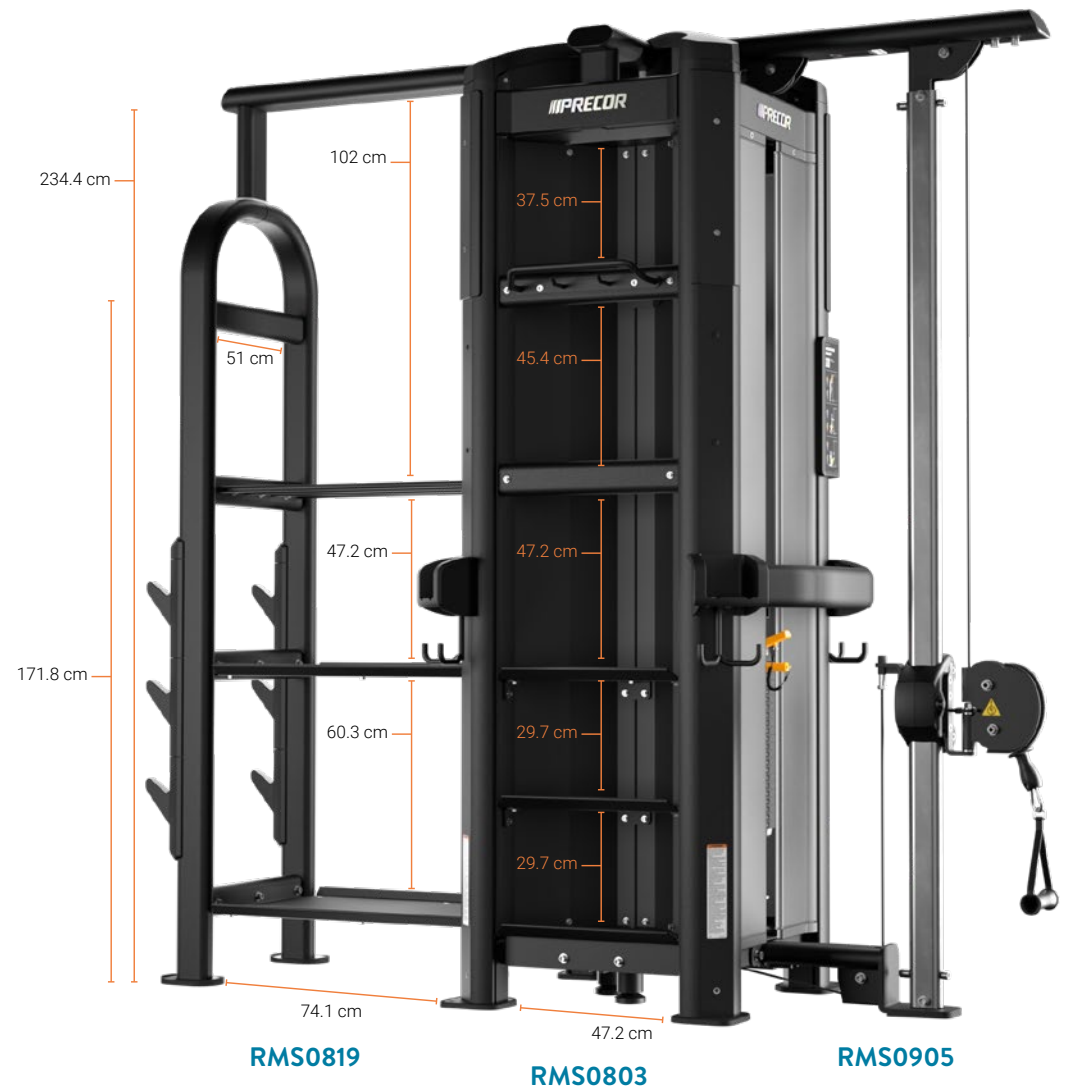
Shelf Weight Capacity

Top Shelf 91 kg

Middle Shelf 95 kg

Bottom Shelf 95 kg

Bar Rack Hooks 20 kg each





COLOUR OPTIONS

Frame



Black Pearl Gloss Metallic Silver Gloss White*

• Custom frame colours are available, subject to minimum order quantities and extended lead times.

* Additional lead time applies.

Shroud



Tungsten

• Custom shroud wraps are available at an additional cost.

Upholstery



Black

Additional Upholstery Options**



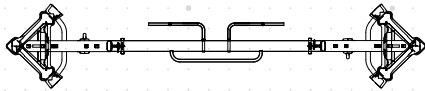
Grey Slate American Beauty Toffee Apple All Spice Bucksuede
 Burgundy Royal Blue Blue Jay Chocolate Hunter Green

• Additional upholstery options may have longer lead times. Please contact a sales representative.

• Colours may vary.

** Additional lead time applies.

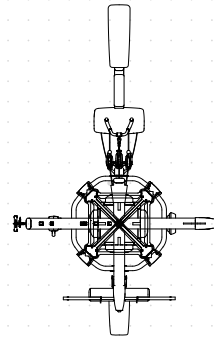
FLEXIBLE CONFIGURATIONS



2 Stack Cable Crossover

Dimensions (LxWxH)

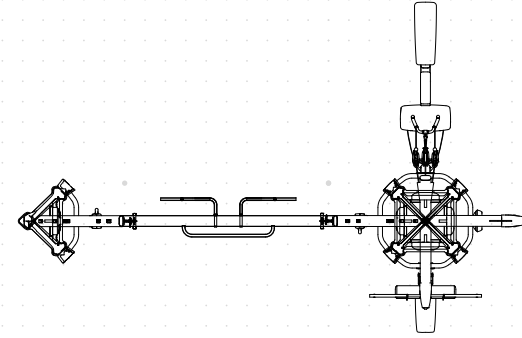
51 x 498 x 237 cm



4 Stack

Dimensions (LxWxH)

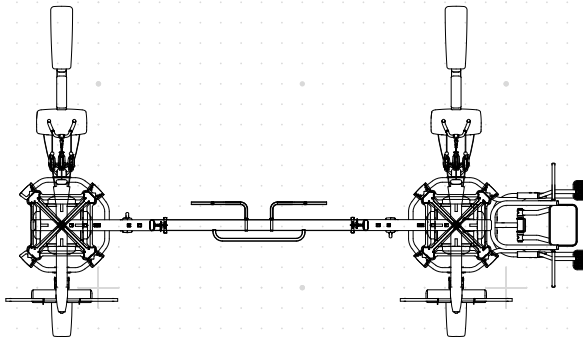
388 x 243 x 237 cm



5 Stack

Dimensions (LxWxH)

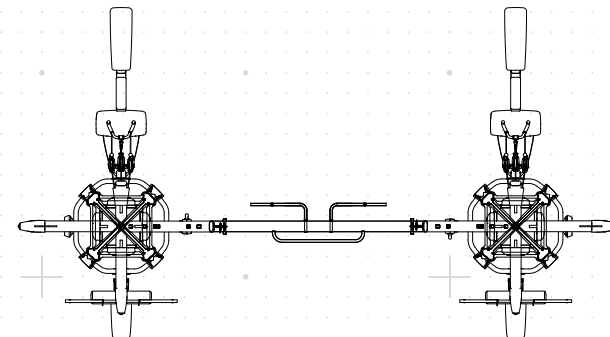
388 x 601 x 237 cm



7 Stack

Dimensions (LxWxH)

388 x 703 x 237 cm



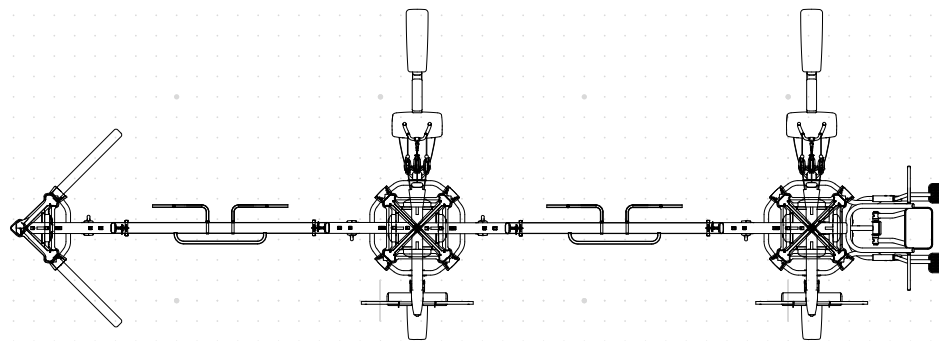
8 Stack

Dimensions (LxWxH)

388 x 685 x 237 cm

MODULAR DESIGN THAT GIVES YOU CONTROL

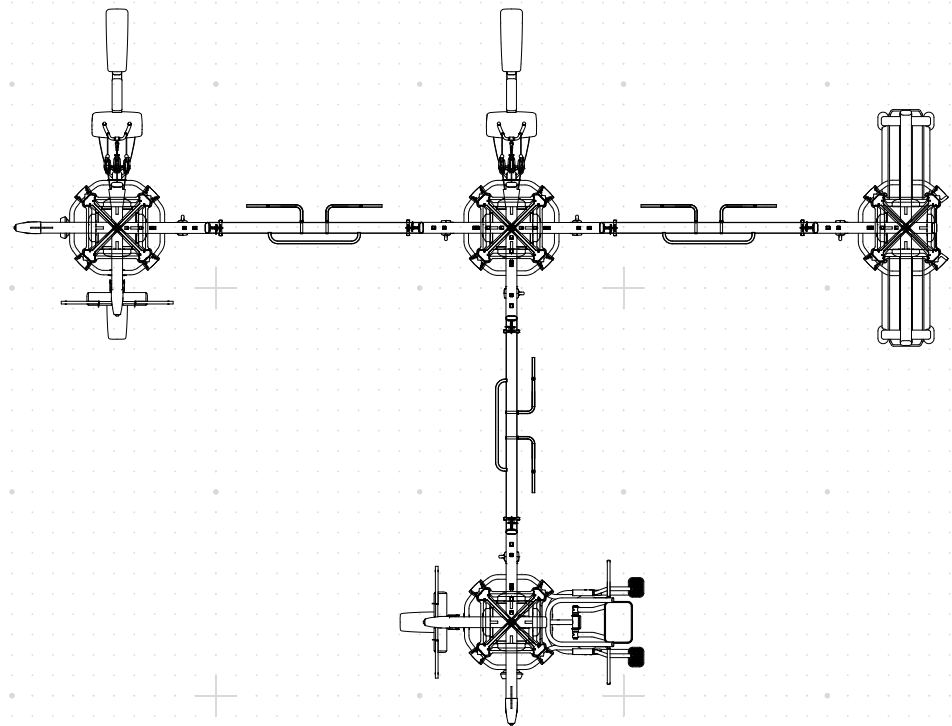
Choose from a wide selection of stations and configure them to suit your facility's needs. As your facility grows, the modular design makes it easy to add or move stations as needed. The space-saving design ensures that there's plenty of room for lifters, without sacrificing space or usability.



9 Stack

Dimensions (LxWxH)

388 x 1098 x 237 cm



13 Stack with Storage

Dimensions (LxWxH)

388 x 1097 x 237 cm



PRECOR FITNESS LIMITED

United Kingdom
Quatro House, Lyon Way Frimley,
Camberley, GU16 7ER
United Kingdom
+44 1276 548528

LEARN MORE AT: [PRECOR.CO.UK](https://www.precor.co.uk)

©Precor Incorporated 2023. Precor reserves the right to make any changes without prior notice.
Last revision: August 2023.